

Build Your Own Center Parcs Lodge

Instructions



If you've ever wished you could bring your Center Parcs break home with you, you're in luck. Now you can build your very own Woodland Lodge, complete with family and – of course – visiting squirrel.

You will need

- Printer
- Paper Glue
- A sheet of card or the side of a cereal box
- A4 paper or thin card
- Colouring pencils/ crayons/pens
- (optional)
- Scissors

Before you begin

1. Print out your Lodge sheets in colour – there are eight in total.

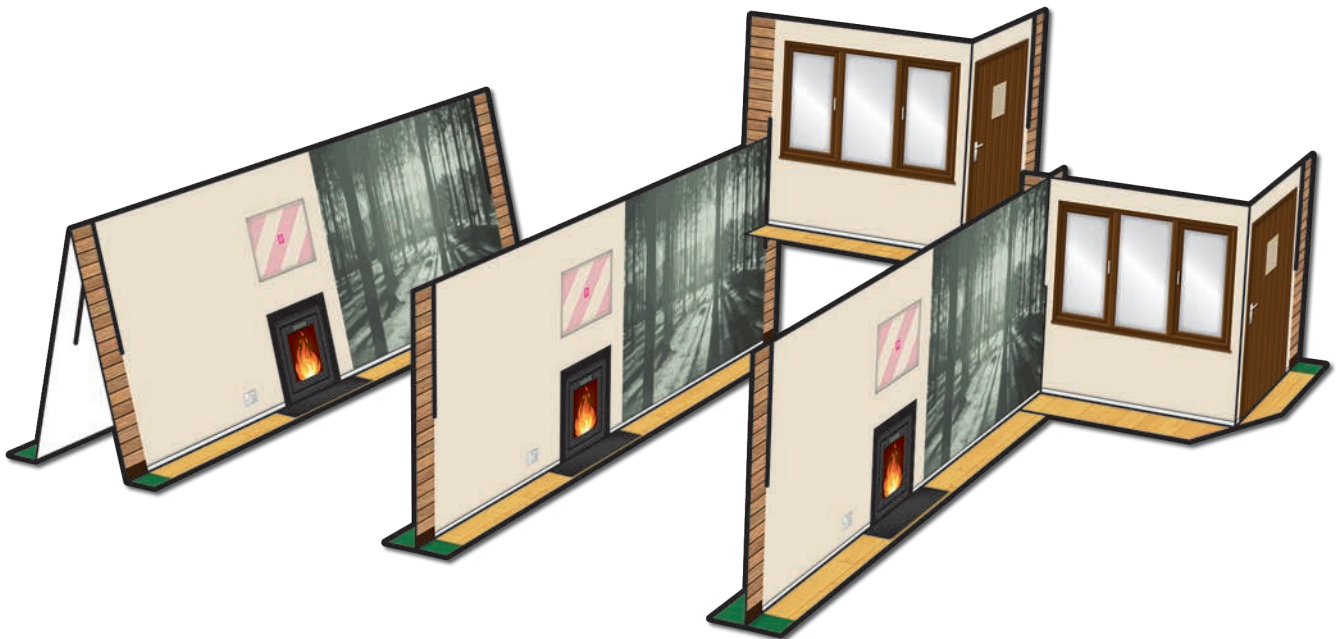
2. Throughout the build, cut along the solid pink lines: 

Fold along the dashed pink lines:    

Pink stripes shows where one piece will be stuck to another: 

The floor and walls

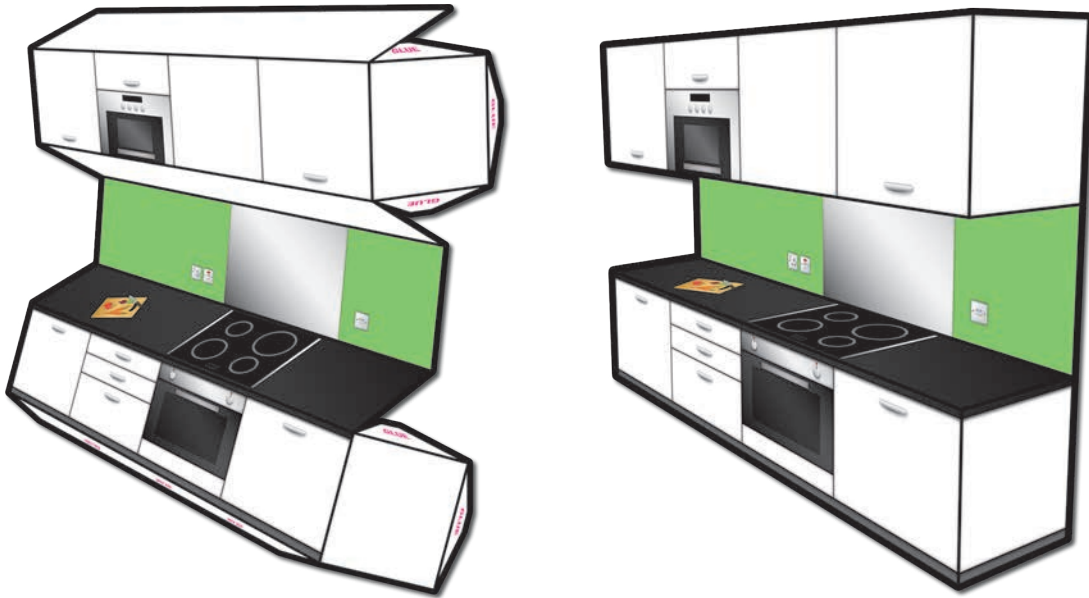
1. The sheet with the Center Parcs logo is your floor plan – you can stick this to a sheet of card (or the side of a cereal box) to make it more sturdy. There is no need to cut out the floor plan.
2. Cut out **wall A** on **sheet 2**. Fold along the dashed line in the middle so it is double-sided. Next, cut along the slots that will allow you to fit your walls together – these are the remaining pink lines that go halfway up and down your wall. Fold out the tabs at the bottom along the dashed lines. Stick it to your floor plan along **line A** so that the wallpaper is inside and the wooden cladding is on the outside.



3. Cut out **wall B** on **sheet 3**, fold in half along the dashed line so it is double-sided, then fold along the dashed line by the door to make a corner. Cut along the slots and fold out the tabs at the bottom along the dashed lines. Attach it to your Lodge by slotting it over **wall A** and sticking to the floor plan along **line B**.
4. Cut out and fold **walls C D E F** in the same way. Slot them into place in order and stick them to your floor plan. You now have the floor and walls of your Center Parcs Lodge!

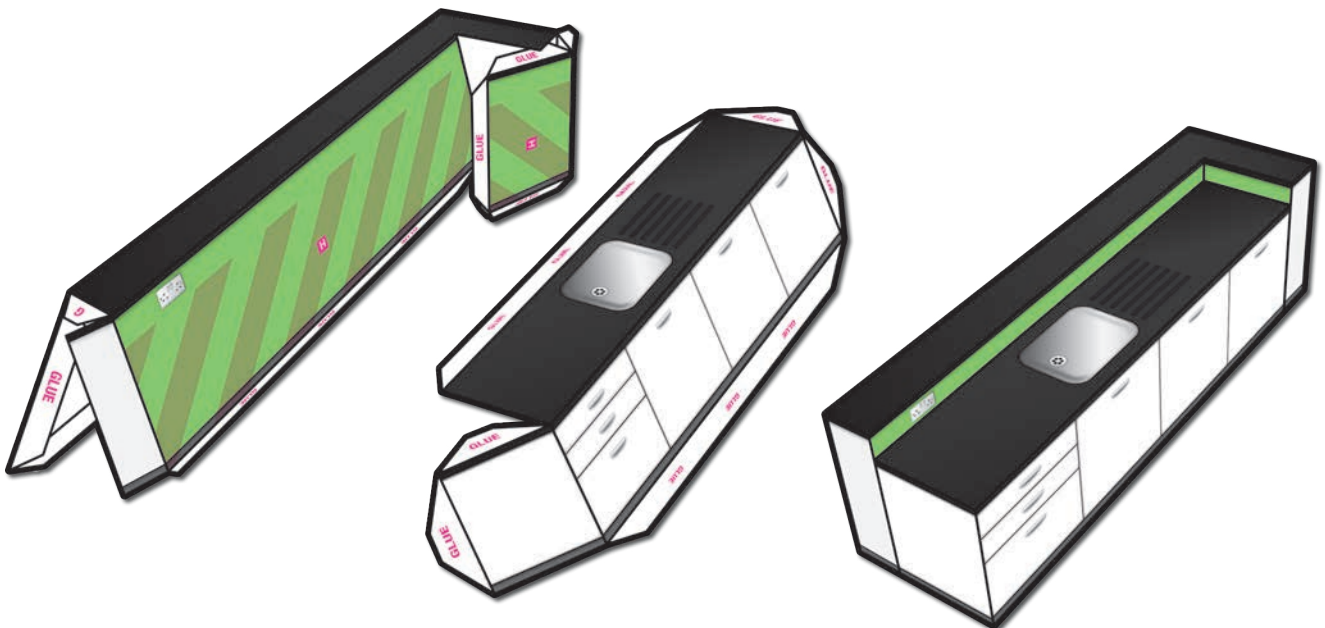
The kitchen

1. Make yourself somewhere to cook! Start with **part I** on **sheet 7**. Cut the whole piece out and fold along the dashed lines into shape. Fold in the tabs and glue into place. The long bottom tab is for gluing the whole piece onto your floor plan in **space I**.



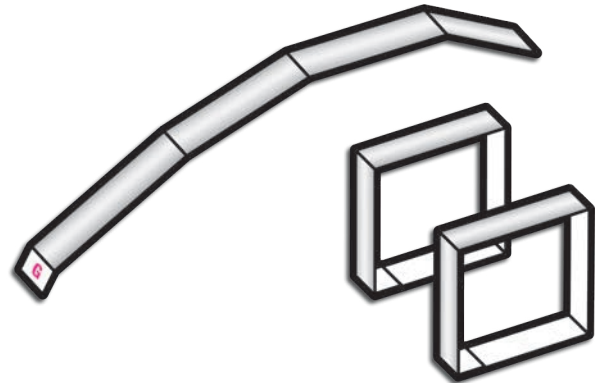
2. Next, assemble **part G**. Cut it out, fold along the dashed lines, glue in the tabs to hold it together then fix to the floor piece in the hashed **space G** along the long bottom tab.

3. Make **part H** in the same way, which slots directly in front of **part G** in the hashed **space H**.

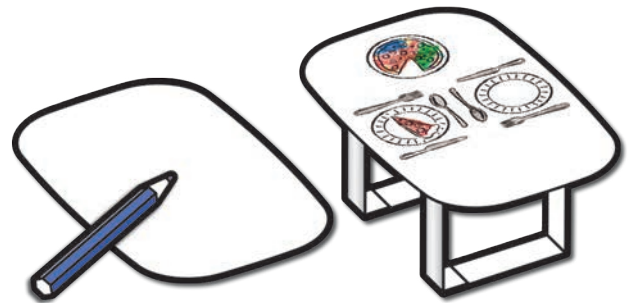


Dining room

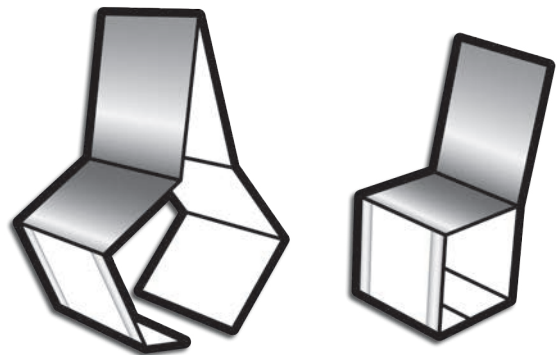
1. Cut out your dining table legs **part Q** on **sheet 7**. Fold them up and glue the small tabs into place to you have two rectangular loops.



2. Cut out your table top **part P** on **sheet 7**. You can decorate your table top by drawing plates of your favourite food. Then glue it on top of the legs.



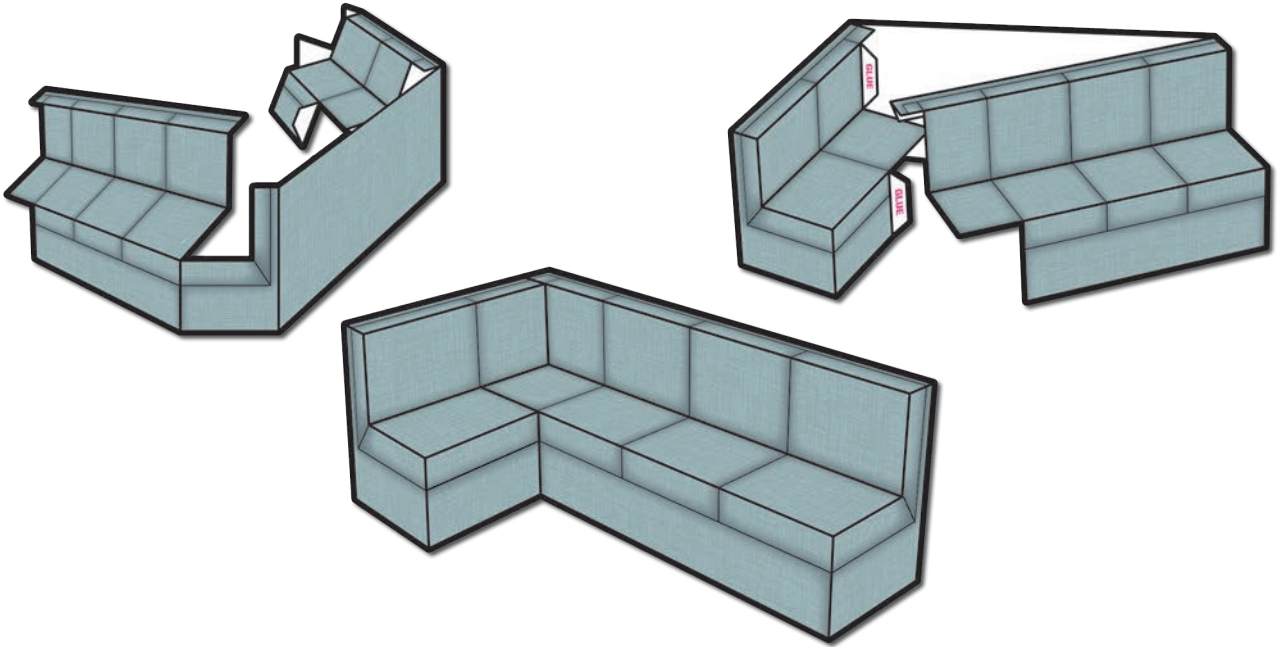
3. Next, cut out the two chair strips **part S** on **sheet 7**, fold them up as shown below, and glue the tabs in to secure.



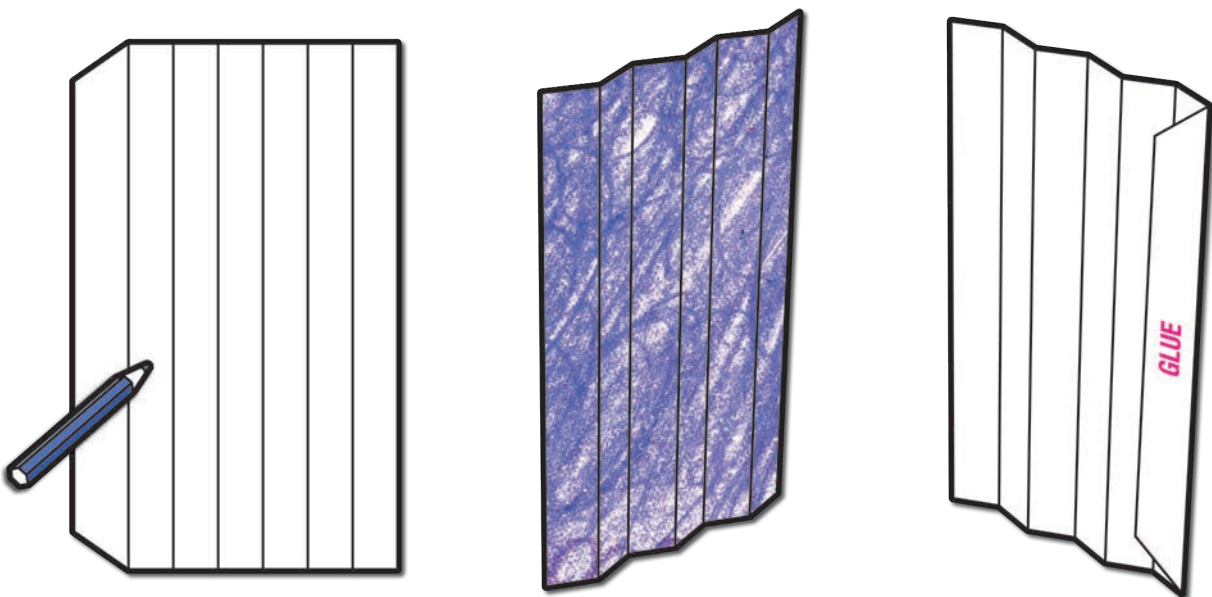
4. You can place your dining table and chairs in your Lodge.

Living room

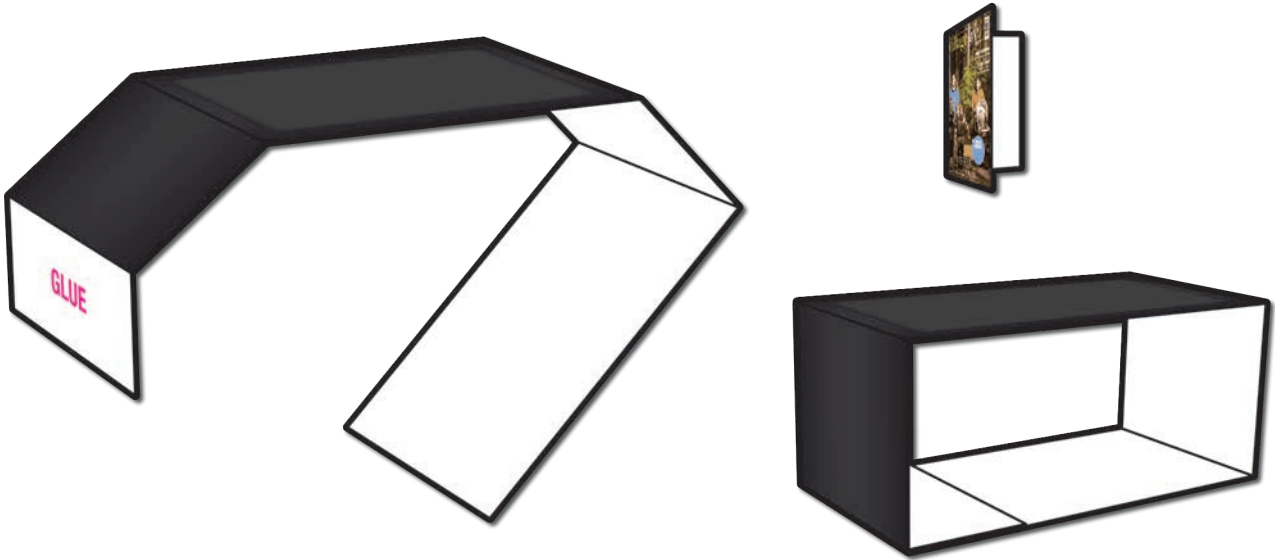
1. Cut out your sofa **part N** on **sheet 6**. Fold it along the hashed lines as shown in the diagram below and glue the tabs inside.



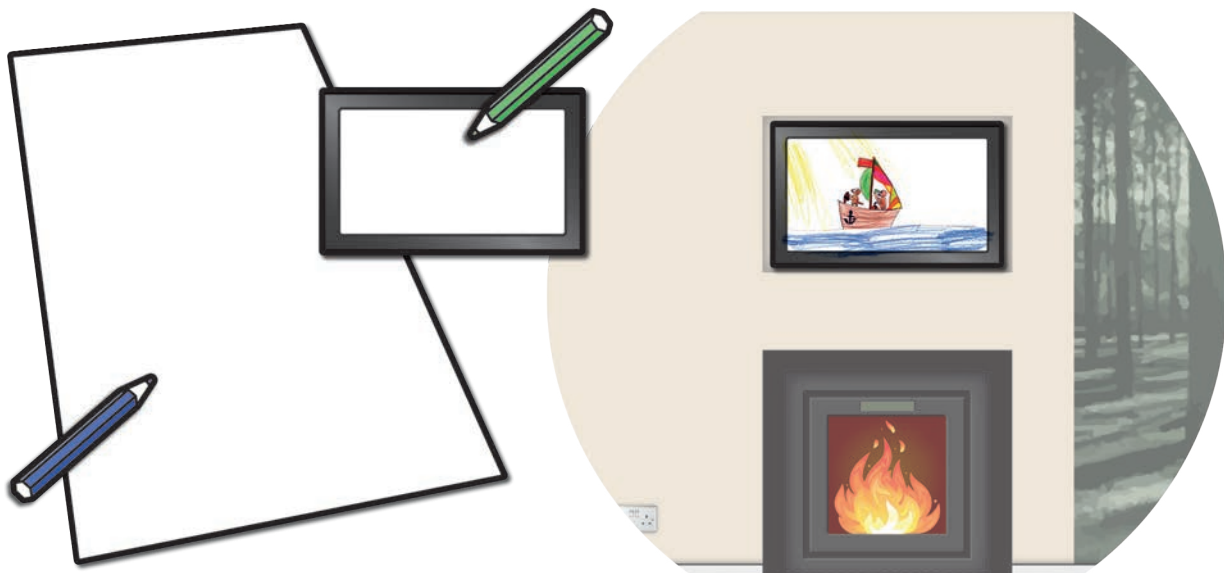
2. Cut out your curtains **part J** on **sheet 5**. these fold up like a concertina, but before you fold them, you can decorate them by colouring them in or designing your own pattern. They attach to either side of the window on **wall B**.



3. Cut out your coffee table **part T** on **sheet 7**, fold up into a simple rectangle like your dining table chairs and glue into place. Cut out the Uncovered magazine **part O** on **sheet 7**, fold it in half and pop it on your coffee table in your Lodge.

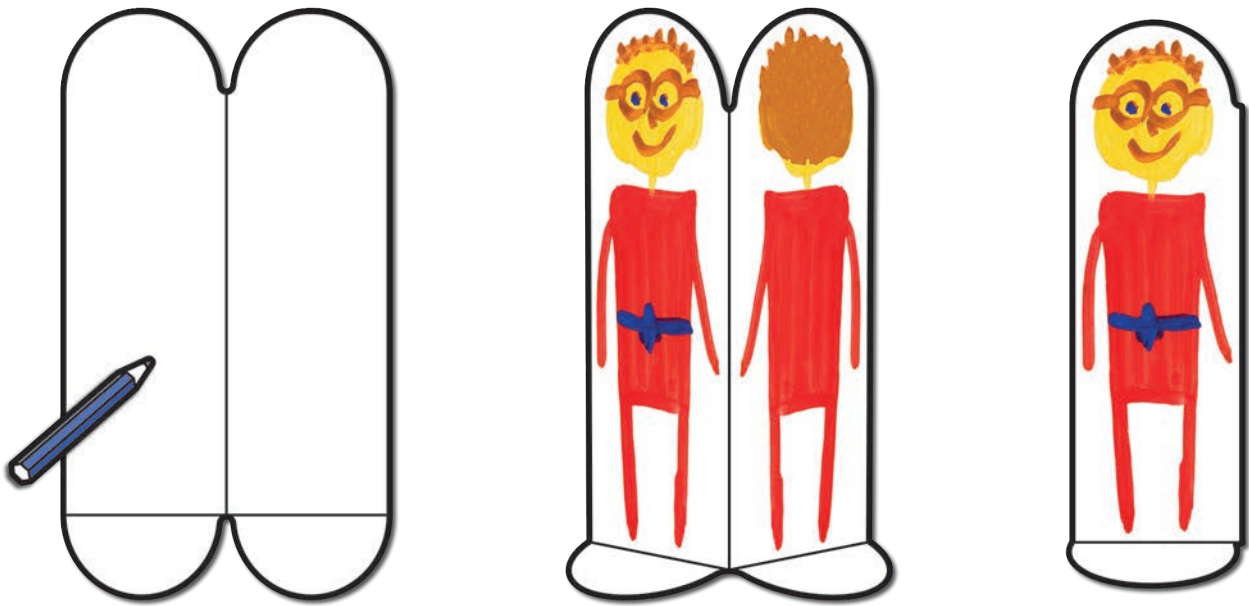


4. Cut out and decorate your rug **part K** on **sheet 5** and your television screen **part R** on **sheet 7**. Place the rug in your living room and stick your television above the fireplace on **wall A**.



Family

1. Draw the front and back of the members of your family on the figure pieces **part L** on **sheet 6**. Cut them out, fold in half, fold out the tabs so they stand up and glue them together.
2. Red squirrels like to visit our Lodges at Whinfell Forest. Cut yours out **part M** on **sheet 6**, glue it together like your family figures and pop it in the garden.



Congratulations!

You've made your own Center Parcs Lodge to play in whenever you can't be with us for real. How did you get on? Show us a photo of your creation on Facebook [facebook.com/centerparcsuk](https://www.facebook.com/centerparcsuk) or tag us on Instagram or Twitter [@centerparcsuk](https://www.instagram.com/centerparcsuk).